

MECHANICAL GATE

MECHANICAL SWING GATES FOR SHOP ENTRANCES



cominfo

By **GUNNEBO** Entrance Control

MECHANICAL GATE

This entrance gate is an economical alternative to automatic gates designed for access control and customer guidance in retail outlets. It is also a valuable and cost-effective entrance solution used for disabled and trolley access or exists in security installations alongside tripod turnstiles or other products.

The Mechanical Gate is equipped with an anti-panic device: pushing over a sufficient force the swing gate disengages to create a free exit in both directions.



TECHNICAL SPECIFICATIONS

FEATURES

DRIVE	Pushing mechanism
ARM CLOSING ADJUSTMENT	Yes
WEIGHT	10 kg
IP DEGREE OF PROTECTION	IP 31

APPLICATIONS

Hypermarkets, Supermarkets, Fitness Centres, Garden Centers, Leisure Centres, Health Clubs, Museums, Public Toilet Access

MATERIALS

UPRIGHT	Mirror-polished chrome plated steel
ARM	Mirror-polished chrome plated steel
SIGN PLATE	White screen-printed acrylic

OPERATION

PUSHING MECHANISM:
Return is ensured by a coil spring located on the top part of the upright column.

ANTI-PANIC MECHANISM

A fully mechanical anti-panic mechanism allows for arm opening in the reverse direction of that pre-set for transit with pushing action.

The floor-mounted mechanism can be supplied with an opening direction:

- Right
- Left
- Bi-Directional

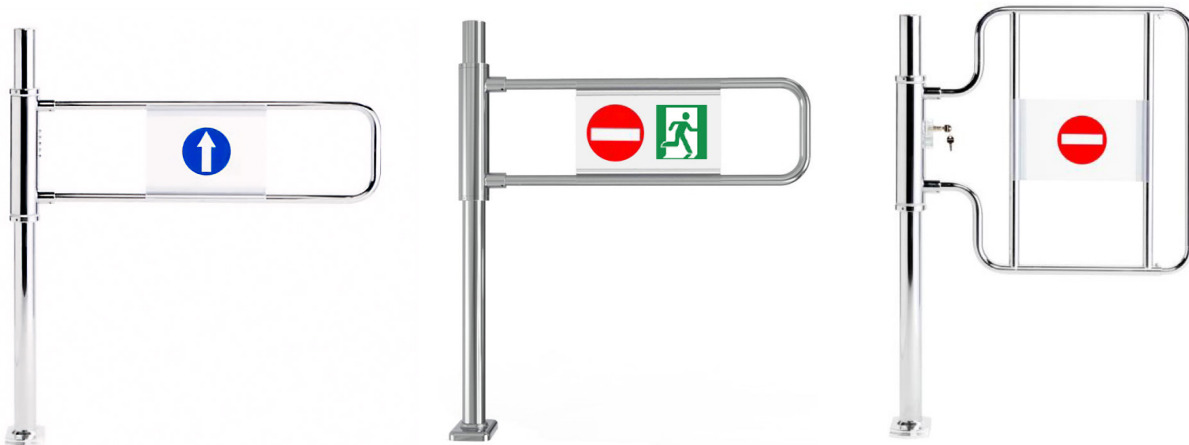
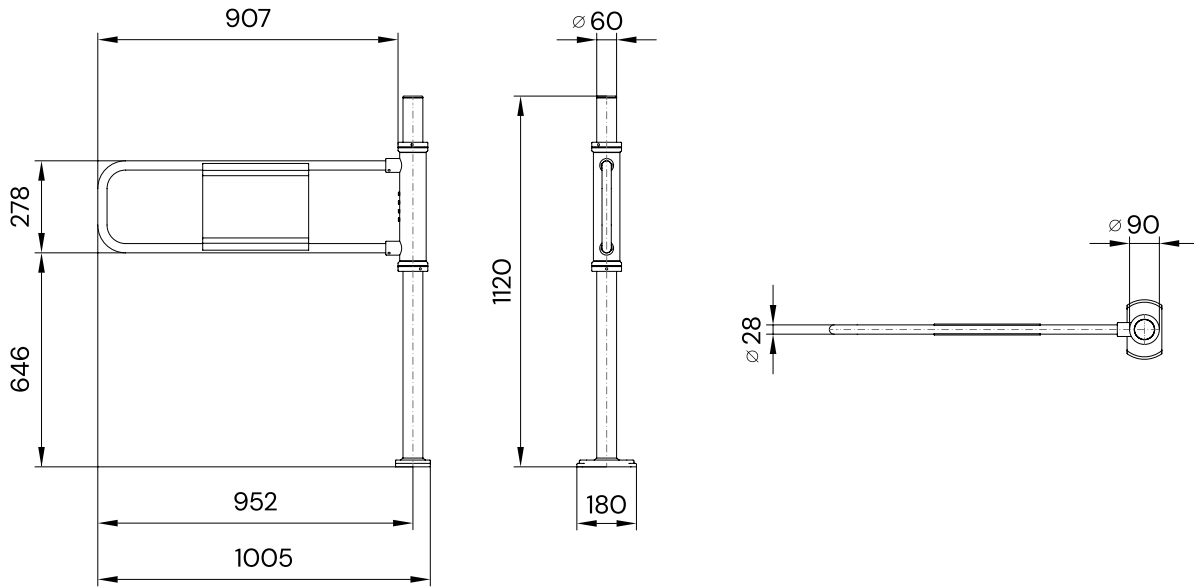
ACCESSORIES

- Standard 700 mm, 900 mm or 1150 mm tubular arm
- Standard extensible tubular arm: 700 mm - 1100 mm
- Sign plate (Entry/No Entry)
- Adhesive sign plate (Emergency Exit)

The wall-mounted mechanism can be supplied with an opening direction:

- Right
- Left

SITE PREPARATION



MECHANICAL GATE

EMERGENCY EXIT GATE

CHECKOUT EXIT GATE

IMPORTANT: All horizontal conductors required for cable passage and positioned under bases of gates and of typical system components for access control must be installed at least 150 mm deep. Any chased metal ducts must be positioned in axis with the ends of the gate. The customer is responsible for ensuring that our products are managed and maintained in accordance with the layout structure, connections and characteristics defined during installation. The dimensions specified on this data sheet are approximate. For correct installation, we suggest you contact your usual COMINFO Customer Service contact.

NOTES: For the purpose of making technical improvements to the products and refining the design, please note that technical drawings and instructions are subject to modification without prior notice.

